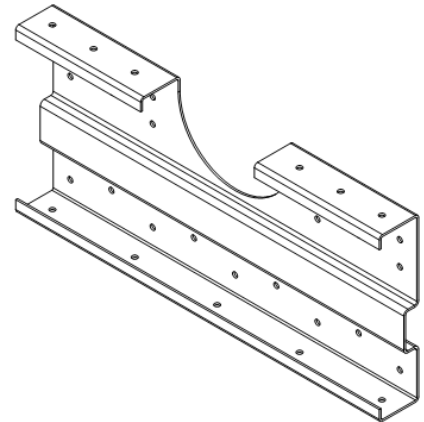
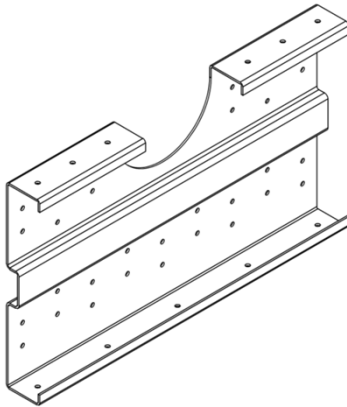


Installation Instructions for 28NR & 210NR Joist Reinforcers

Use the 28NR to reinforce 2x8 and the 210NR to reinforce 2x10 and 2x12 joists.

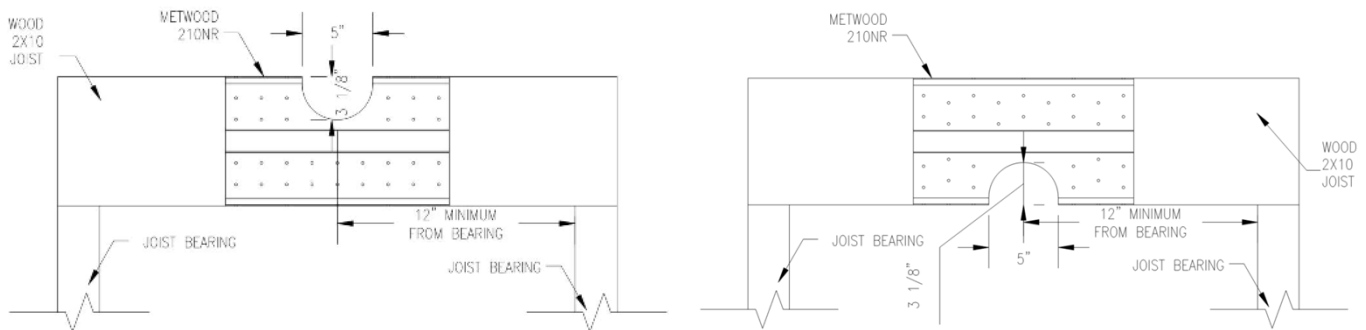


Installation

Center the notch of the 28NR or the 210NR Reinforcer on the notch in the top or bottom of the affected joist, placing it against the face of the joist with the flange of the Reinforcer in contact with the underside of overlying sheathing.

Place a No. 12 wood screw in each of the face holes in the Reinforcer driving each snugly into the joist. Proper size screws are provided with the Reinforcer. Screws in the top and bottom flange holes are optional.

2x10 Example



Installation Limitations

- **Joists:** Joists may be 2x8, 2x10, or 2x12 Solid Sawn Lumber with spans in accordance with Tables R502.3.1 (1) and R502.3.1 (2) of IRC 2012 and IRC 2015
- **Location:** The center of the 210NR must be at least 12" from any bearing support of the joist.
- **Adjacent Holes:** Holes of 1.5" maximum diameter may be installed in the joist adjacent to the 210NR as long as they are spaced at least 20" from the edge of the 210NR.
- **Notch Size:** Notch sizes may not exceed 5"W x 3"D.
- **Number of 210NR's:** One 210NR may be applied per joist.
- **Non-Compliant Installations:** It is often possible to use a 210NR in conditions not complying with these Limitations. Contact Metwood for additional product and engineering support.