

Installation Instructions for Web and Flange I-Joist Reinforcers

The Metwood I-Joist Reinforcers may be placed anywhere on either side of an I-Joist. The Reinforcers are applied directly to the joists and fastened with the provided screws. The following Instructions will describe the proper application of the Reinforcer:

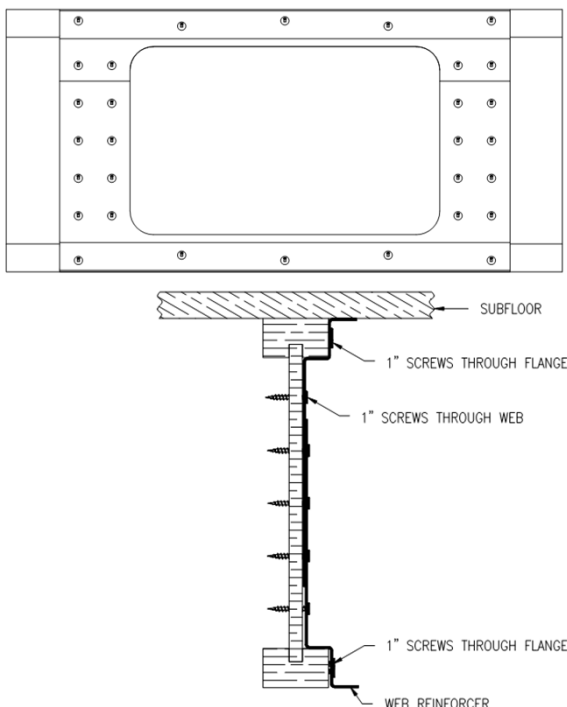
Installation Instructions

1. Locate position of desired hole or notch in joist.
2. For the Flange Reinforcer - Place the reinforcer onto the joist, tapping against the joist surface. The Flange Reinforcer may be utilized for top or bottom notches. For the Web Reinforcer - Place the bottom piece on first, then the top piece, and then the vertical support pieces.
3. Install a portion of the screws into the web to hold the product in place.
4. Predrill 1/8" diameter holes in the flanges using the holes in the Reinforcer as guides. Predrilling is not required for the web or subfloor screws. Using the screws supplied with the Reinforcer, install a screw in each hole (Flange Screws First), making sure that the screws draw the Reinforcer tightly against the joist.

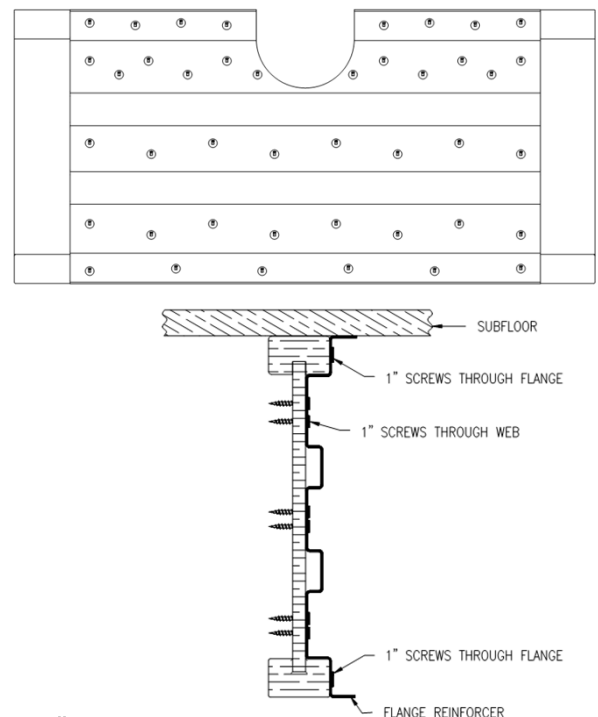
Installation Limitations

- **Hole or Notch Size:** The size of the hole or notch in the I-Joist must be less than or equal to the size of the opening in the Reinforcer.
- **Number per Joist:** One may be applied per joist unless otherwise approved.
- **Non-Compliant Installations:** It is often possible to use a Reinforcer in conditions not complying with these Limitations. Contact Metwood for additional product and engineering support.

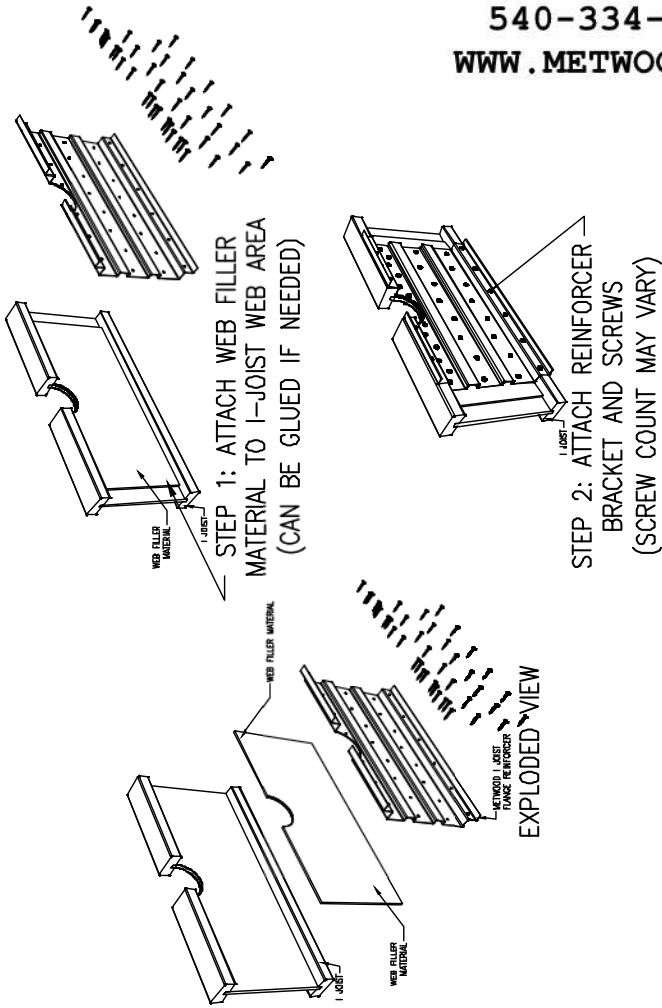
Assembled Web Reinforcer



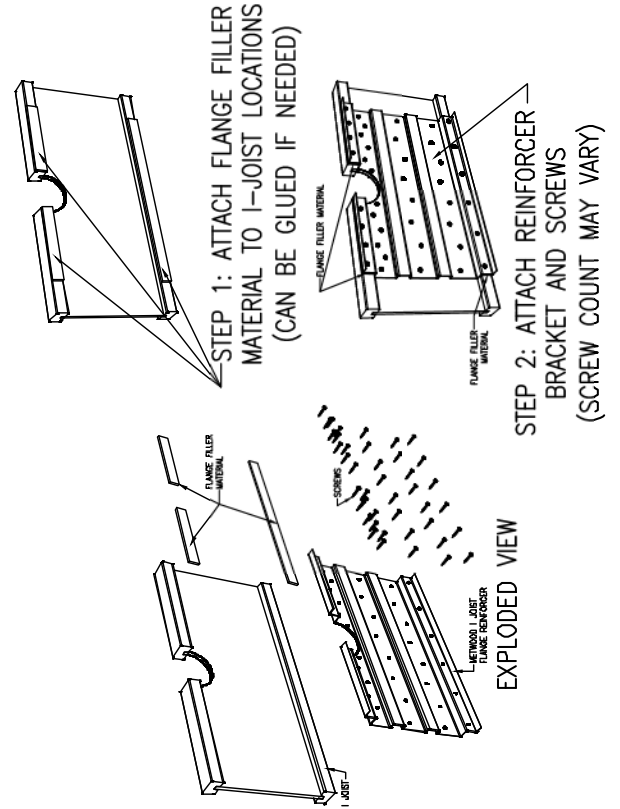
Flange Reinforcer



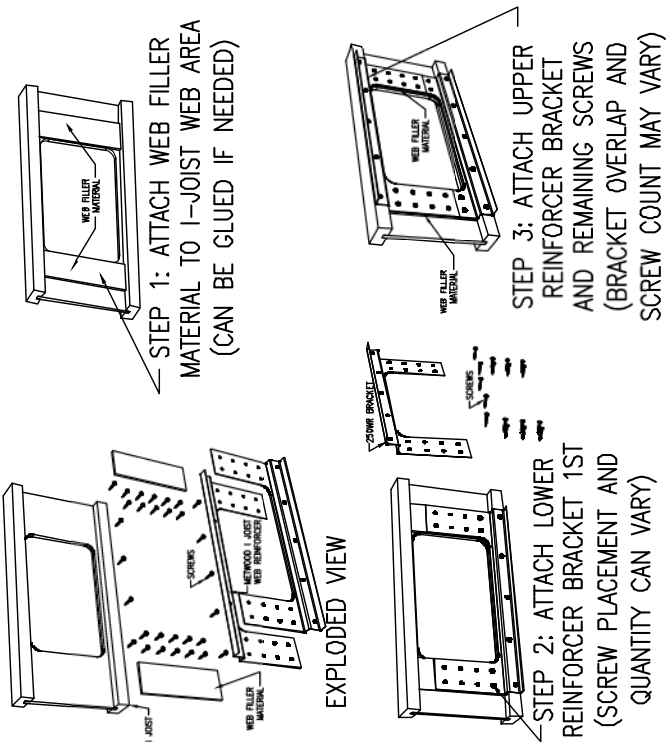
WEB FILLER INSTALLATION FOR I-JOIST FLANGE REINFORCER



FLANGE FILLER INSTALLATION FOR I-JOIST FLANGE REINFORCER



WEB FILLER INSTALLATION FOR I-JOIST WEB REINFORCER



FLANGE FILLER INSTALLATION FOR I-JOIST WEB REINFORCER

